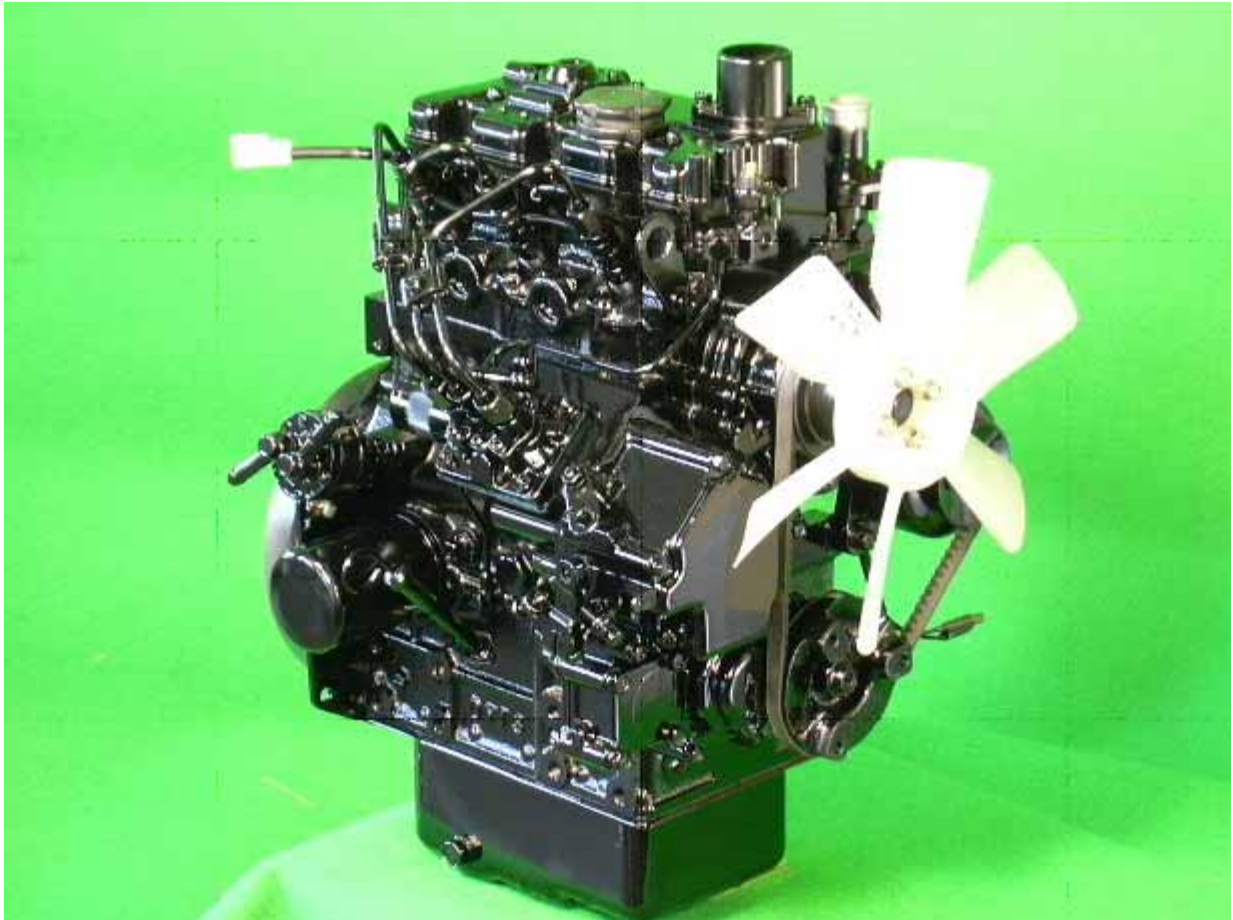


SHIBAURA DIESEL ENGINE

MODEL: N843 and N843L

PARTS MANUAL



SUPPORTED BY HUSTLER TURF EQUIPMENT AND EXCEL
INDUSTRIES, INC.

Table of Contents

Chapter 1

General Information	1-1
---------------------------	-----

Chapter 2

Valve Cover.....	2-2
Rocker Arm Assembly.....	2-4
Cylinder Head.....	2-6
Cylinder Block.....	2-8

Chapter 3

Injection Pump & Lines.....	3-2
Injection Pump.....	3-4
Fuel Injector.....	3-6
Timing Gear Case & Governor.....	3-8
Camshaft.....	3-10
Crankshaft & Pistons.....	3-12
Oil Pump.....	3-14

Chapter 4

Alternator Mount.....	4-2
Alternator.....	4-3
Starter Motor N843.....	4-4
Starter Motor N843L.....	4-6
Water Pump.....	4-8

Chapter 1

General Information

This Manual covers the Shibaura diesel engine N843 and N843L

Frequently Ordered Parts

PART NO.	DESCRIPTION
360720130	Fuel Filter Element
140517020	Engine Oil Filter
080109061	V-Belt, Alternator

Service Literature

PART NO.	DESCRIPTION
109821	Shibaura Diesel Engine Manual
109823	Shibaura Diesel Engine Service Manual

Note: When ordering parts, you must use the part number as shown for each part, not the index number. Always give the model and serial number to your parts and service representative.

Note: Items sold in bulk such as seals and hoses are sold by the foot.

Using this manual

Illustrations used were current at the time of printing, but subsequent production changes may cause your machine to vary slightly in detail. Excel Industries, Inc. reserves the right to redesign and change the machine as deemed necessary, without notification. If a change has been made to your machine which is not reflected in this parts manual, see your Hustler dealer for current information and parts.

Hardware Description Codes & Abbreviations

The following codes are used throughout this parts manual. Refer to this list when ordering parts.

ABBREVIATION	DESCRIPTION
CB	Carriage Bolt
CE	Clevis Pin
CP	Cotter Pin
CS	Cap Screw
CW	Cup Washer
FDRW	Fender Washer
FW	Flat Washer
HX	Hex Head
LW	Lock Washer
MB	Machine Bushing
MS	Machine Screw
NT	Nut
SC	Self Tapping Cap Screw
SH	Socket Head
SB	Shoulder Bolt
SS	Set Screw
OD	Outside Diameter
ID	Inside Diameter
NSS	Not Sold Separately

Standard Torques

The following chart lists the standard torque values for the threaded fasteners found in this manual. Torque all cap screws, nuts and set screws to these values unless a different torque is shown in the Notes section next to the fastener.

SIZE	FT-LBS	NM	SIZE	FT-LBS	NM
.250	8.2	11.1	M3	1	1.3
.312	17	23	M4	2.2	3
.375	30	40	M5	4.5	6.1
.438	48	65	M6	7.7	10.4
.500	73	99	M8	18.5	25
.562	105	143	M10	37	50
.625	145	200	M12	64	87
.750	260	350	M14	80	108.5
.875	420	565	M16	160	215
1.00	625	850	M20	320	435
			M24	555	750

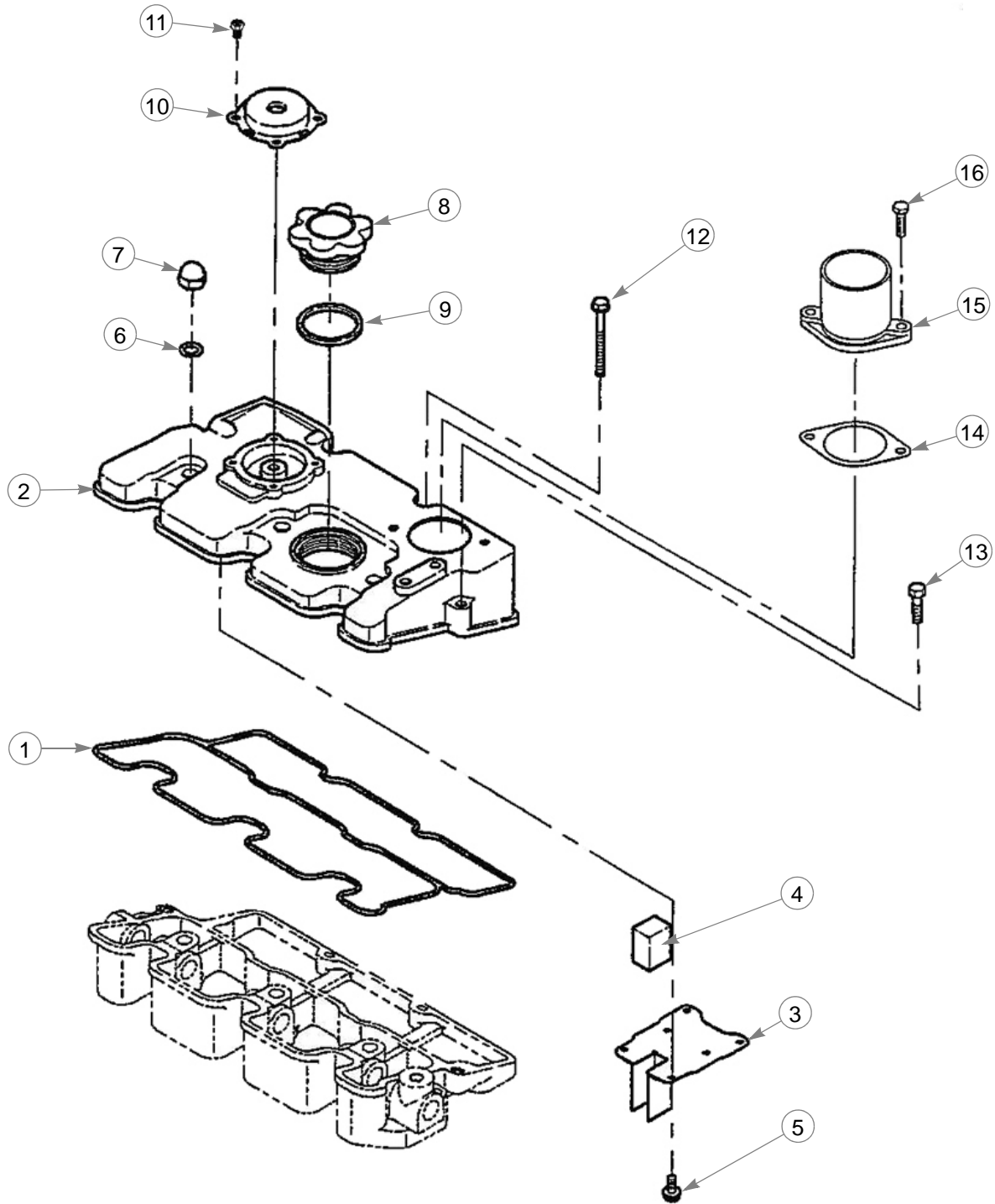
NOTE:

**Loctite® 592 to be used on all pipe threads.
Lubricate all grease zerks.**

Chapter 2 Contents

Valve Cover	2-2
Rocker Arm Assembly	2-4
Cylinder Head	2-6
Cylinder Block	2-8

Valve Cover

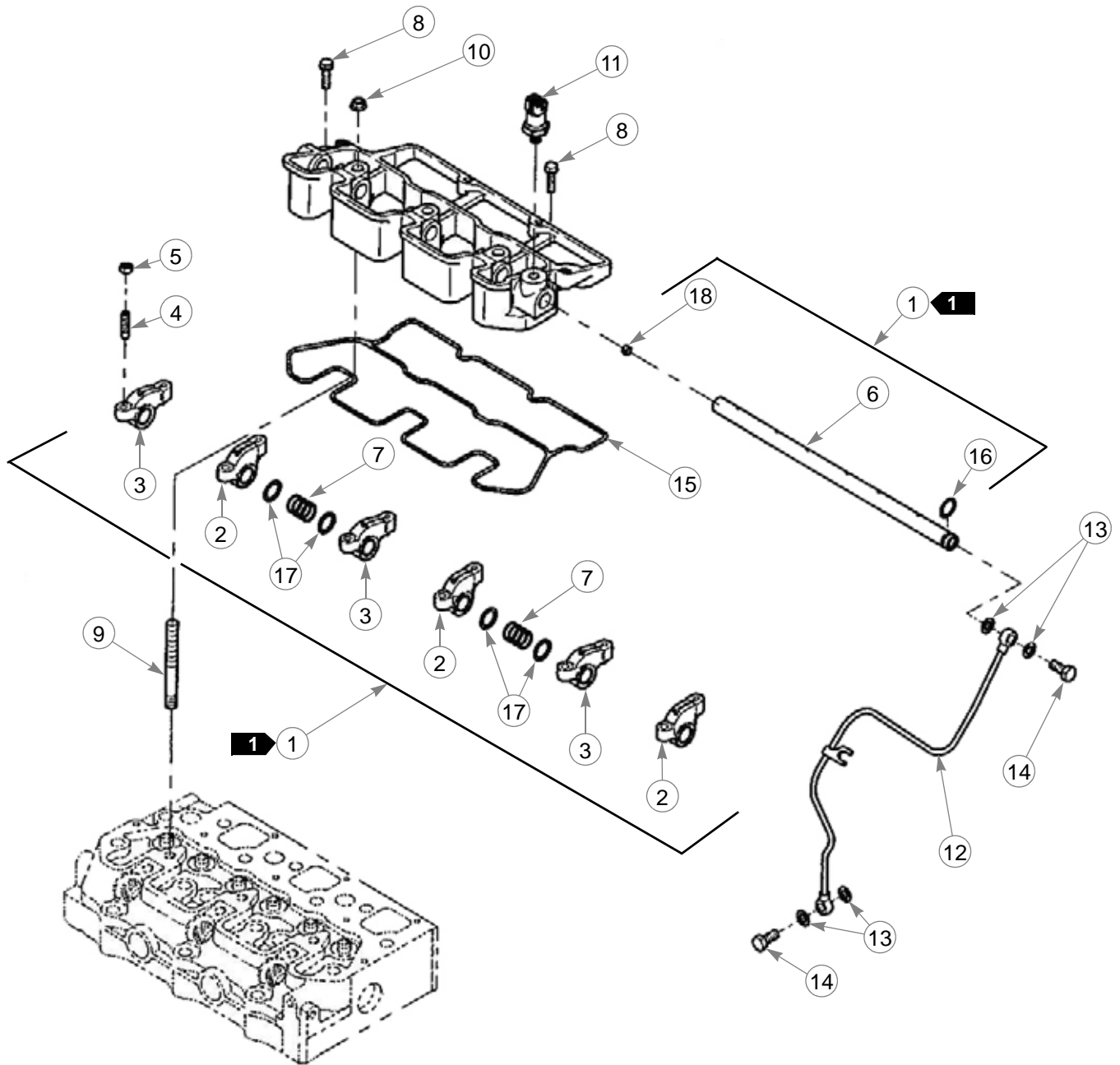


Valve Cover

ITEM NO.	SERVICE PART NO.	QTY.	DESCRIPTION
1	111996410	1	VALVE COVER GASKET
2	111217670	1	VALVE COVER
3	110666220	1	BAFFLE
4	110666060	1	SCREEN FILTER, ENGINE BREATHER
5	015600406	6	SCREW
6	140996270	3	GASKET
7	024600010	3	CAP NUT
8	198436010	1	FILLER CAP
9	052100420	1	O-RING
10	110566080	1	BREATHER VALVE
11	011100408	4	BOLT
12	011310660	2	BOLT
13	011310640	2	BOLT
14	135996950	1	MANIFOLD GASKET
15	135566510	1	AIR INTAKE MANIFOLD
16	011310620	2	HEX M6 X 20, 8.8 BOLT

NOTES:

Rocker Arm Assembly



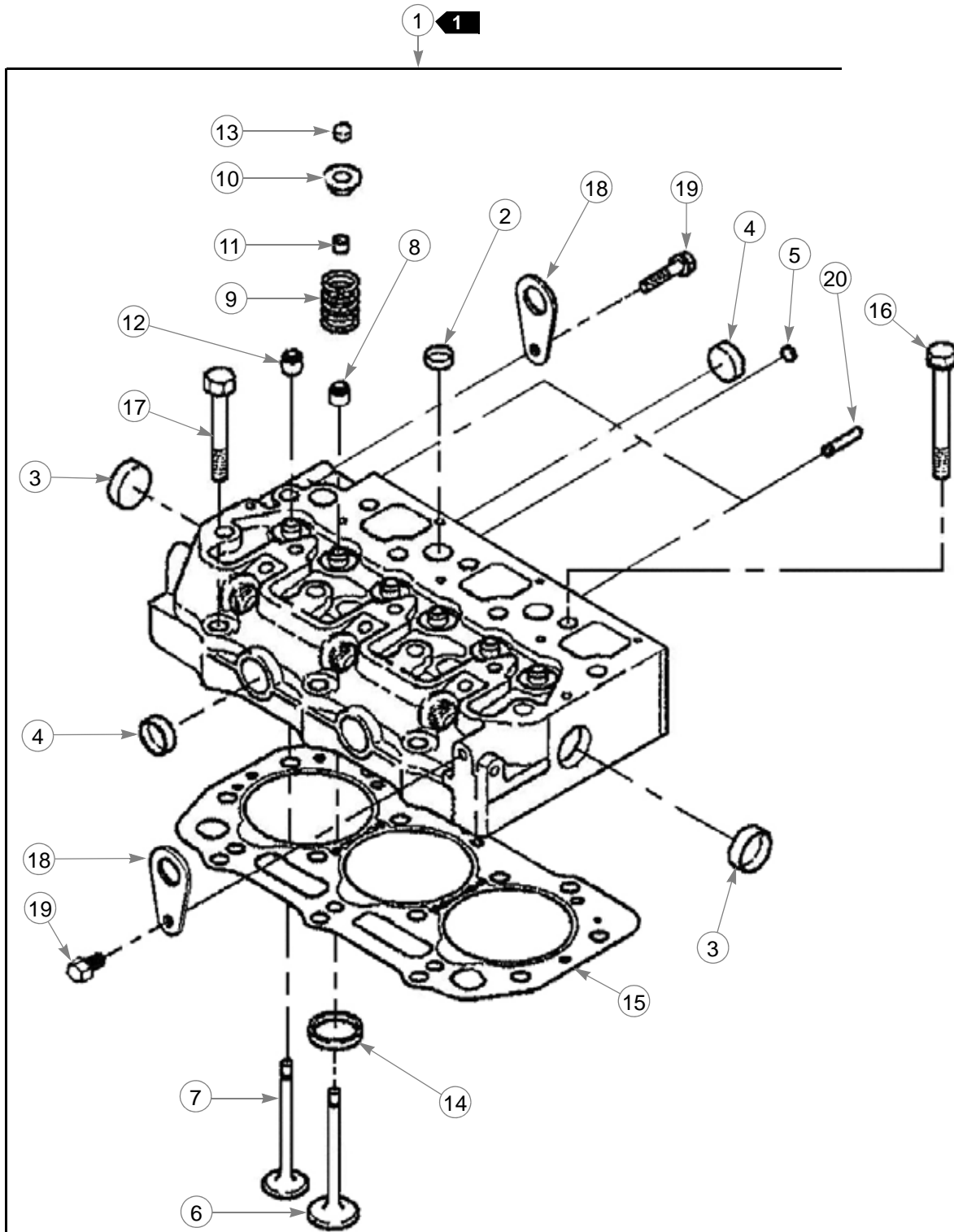
Rocker Arm Assembly

ITEM NO.	SERVICE PART NO.	QTY.	DESCRIPTION
1	120036930	1	ROCKER ARM ASSEMBLY
2	120356131	3	ROCKER ARM; INTAKE
3	120356141	3	ROCKER ARM; EXHAUST
4	199486220	6	ADJUSTMENT SCREW
5	020109076	6	NUT
6	120316281	1	ROCKER ARM SHAFT
7	198217170	2	SPRING
8	011310635	2	BOLT
9	012109044	3	STUD BOLT
10	023100010	3	NUT
11	185246060	1	SENDER UNIT
12	140606941	1	OIL LINE N843
12	140607281	1	OIL LINE N843L
13	140996260	4	GASKET
14	198486780	2	BANJO BOLT
15	120996140	1	GASKET
16	052109076	4	O-RING
17	199280300	4	SHIM
18		1	

NOTES:

1. Item 1 (includes items 2 to 7,16,17 and 18).

Cylinder Head



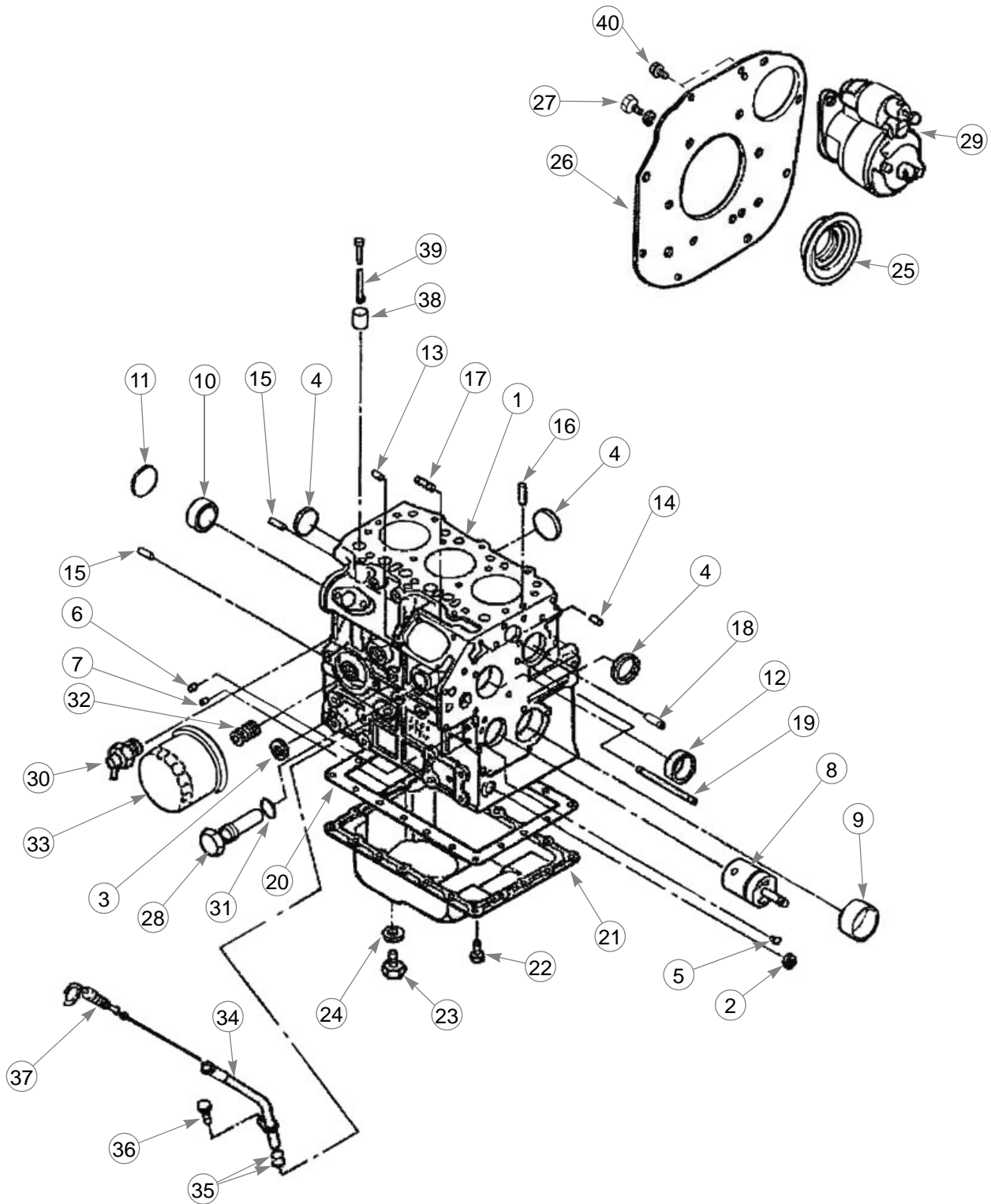
Cylinder Head

ITEM NO.	SERVICE PART NO.	QTY.	DESCRIPTION
1	111011171	1	CYLINDER HEAD ASSEMBLY
2	064210018	5	PLUG
3	064210030	2	PLUG
4	064210025	4	PLUG
5	064210010	2	PLUG
6	120166350	3	INTAKE VALVE, STD
7	120176360	3	EXHAUST VALVE, STD
8	120406070	3	VALVE GUIDE SEAL : INTAKE
9	198216700	6	SPRING
10	120186080	6	RETAINER
11	120226070	12	COTTER
12	120406050	3	VALVE GUIDE SEAL : EXHAUST
13	120216041	6	CAP
14	110136400	3	VALVE SEAT : INTAKE
15	111147491	1	CYLINDER HEAD GASKET T=1.3
	111147501	1	CYLINDER HEAD GASKET T=1.4
16	111136480	11	HEAD BOLT
17	111136490	3	HEAD BOLT
18	195816540	2	LIFTING EYE
19	011510816	2	BOLT
20	012110655	2	STUD BOLT

NOTES:

1. Item 1 (includes items 2–20).

Cylinder Block



Cylinder Block

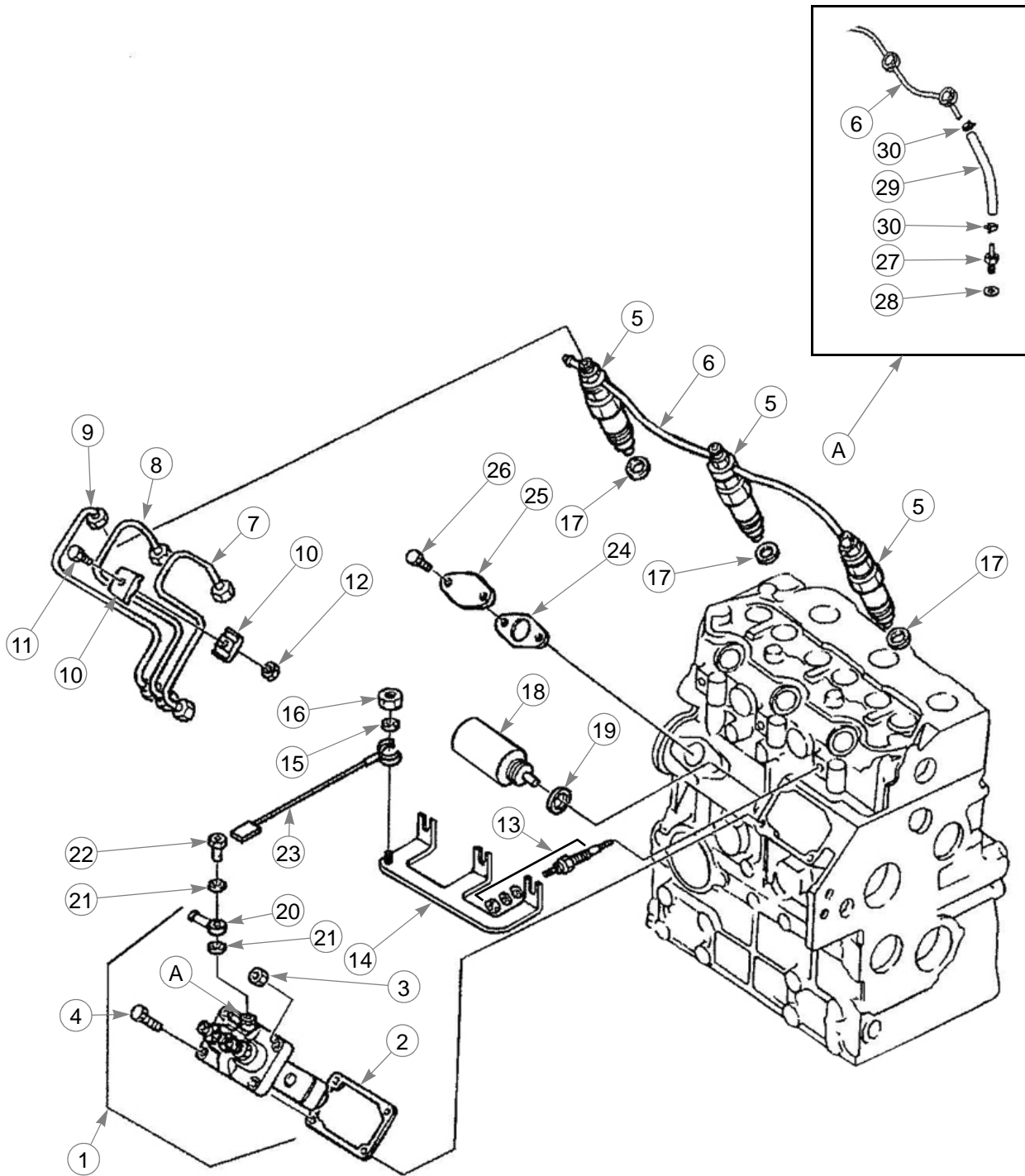
ITEM NO.	SERVICE PART NO.	QTY.	DESCRIPTION
1	110101360	1	CYLINDER BLOCK N843
	110101490	1	CYLINDER BLOCK N843L
2	064200015	1	PLUG
3	064210025	1	PLUG
4	064210040	4	CAP
5	198466010	2	PLUG
6	198466020	3	PLUG 10.4MM
7	198466030	4	PLUG 6.5 X 7MM
8	165296220	1	IDLE GEAR SHAFT COMPL
9	198517222	1	BUSHING; S.T.D.
10	040306203	1	BALL BEARING
11	064100045	1	EXPANSION PLUG
12	042309013	1	BEARING ASSEMBLY
13	030500612	2	DOWEL PIN
14	030500616	2	DOWEL PIN
15	030501025	2	DOWEL PIN
16	030309005	2	SPRING PIN
17	012110820	2	STUD BOLT
18	012110635	1	STUD
19	012110660	1	STUD BOLT
20	110996820	1	GASKET
21	110708310	1	ENGINE OIL PAN
22	010109235	26	BOLT
23	010411212	1	M12 X 12 BOLT
24	025100012	1	SEALING WASHER
25	198636170	1	CRANK SEAL N843
	050209083	1	CRANK SEAL N843L
26	110367770	2	NHG PLATE N843
	110367840	2	NHG PLATE N843L
27	011510820	10	M8 X 20 BOLT
28	140036220	1	PRESSURE RELIEF VALVE
29	185086551	1	STARTER MOTOR ASSEMBLY N843
	185086530	1	STARTER MOTOR ASSEMBLY N843L
30	198736150	1	CYLINDER BLOCK COOLANT DRAIN
31	052109078	1	P15 O-RING
32	140546020	1	ADAPTER
33	140517020	1	ENGINE OIL FILTER
34	110756490	1	GUIDE
35	052109113	2	P10 O-RING
36	011310612	1	M6 X 12 SCREW
37	198416270	1	ENGINE OIL DIPSTICK
38	120116160	6	TAPPET
39	120456250	6	PUSH ROD N843
	120456310	6	PUSH ROD N843L
40	011511020	2	M10 X 20 BOLT



Chapter 3 Contents

Injection Pump & Lines	3-2
Injection Pump	3-4
Fuel Injector	3-6
Timing Gear Case & Governor	3-8
Camshaft	3-10
Crankshaft & Pistons	3-12
Oil Pump	3-14

Injection Pump & Lines

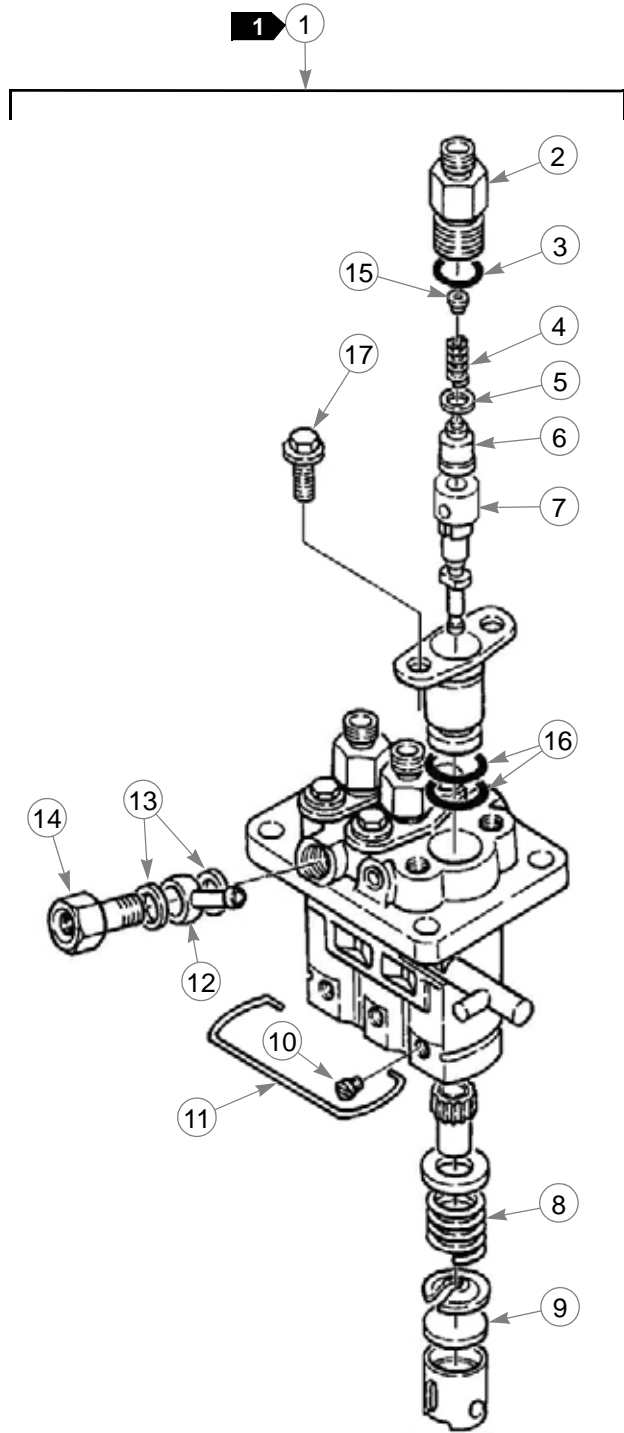


Injection Pump & Lines

ITEM NO.	SERVICE PART NO.	QTY.	DESCRIPTION
1	131017811	1	INJECTION PUMP ASSEMBLY
2	131426310	1	SHIM KIT: 0.2, 0.3, 0.4, 0.5
3	023100008	2	M8 X 1.25 NUT
4	010800820	2	BOLT
5	131406360	3	INJECTOR ASSEMBLY
6	131606960	1	RETURN LINE
7	131507601	1	INJECTION LINE
	131501030	1	INJECTION LINE
8	131507611	1	INJECTION LINE
	131501040	1	INJECTION LINE
9	131507621	1	INJECTION LINE
	131501050	1	INJECTION LINE
10	199106021	4	CLAMP
11	010110625	2	M6 X 25, 8.8 HEX BOLT
12	023100006	2	M6 X 1 NUT
13	185366190	3	GLOW PLUG
14	185376140	1	HYD. CONNECTOR
15	027100004	1	LOCK WASHER
16	020100004	1	NUT
17	131426200	3	GASKET
18	185206084	1	SOLENOID
19	025100016	1	WASHER
20	131246010	1	FITTING
21	131296255	2	GASKET
22	131246170	1	BOLT
23	185606170	1	WIRE HARNESS
24	130996130	1	GASKET
25	165206640	1	COVER
26	011310612	2	SCREW
27	198487920	1	HYD. CONNECTOR
28	140996350	1	COPPER WASHER
29	068204090	1	FUEL HOSE N843
	068204112	1	FUEL HOSE N843L
30	067200078	1	HOSE CLAMP

NOTES:

Injection Pump



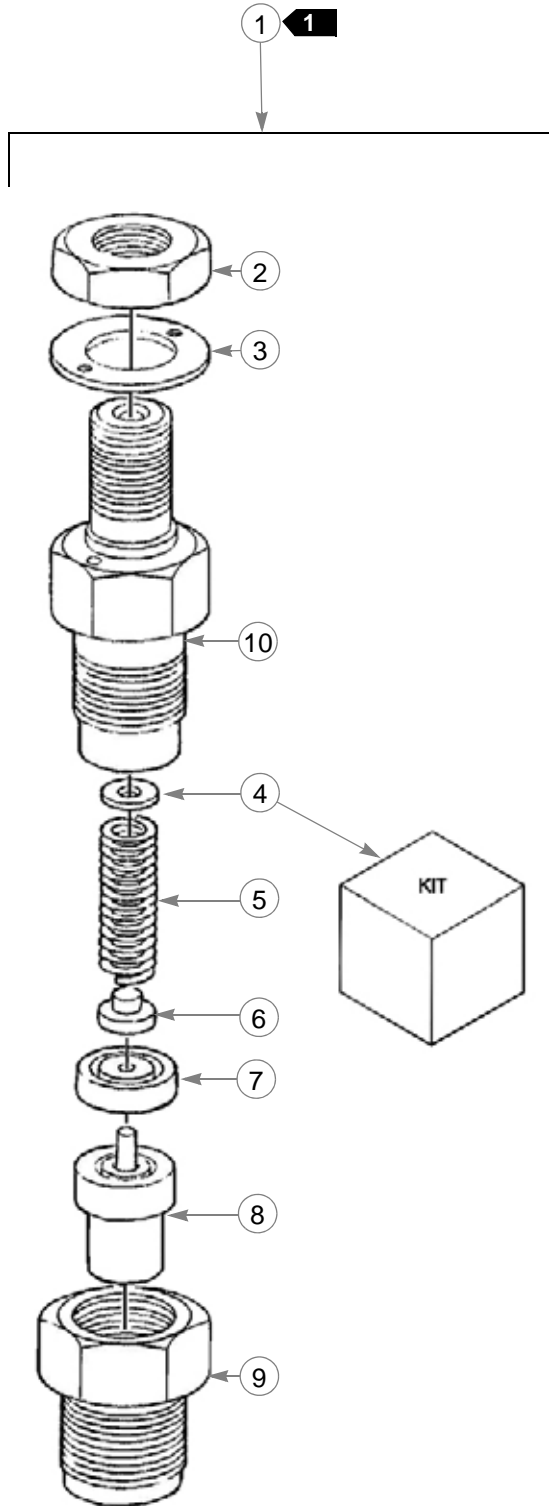
Injection Pump

ITEM NO.	SERVICE PART NO.	QTY.	DESCRIPTION
1	131017811	1	INJECTION PUMP ASSEMBLY
2	NSS	3	HOLDER
3	NSS	3	O-RING
4	NSS	3	SPRING
5	NSS	3	GASKET
6	NSS	3	VALVE DELIVERY ASSEMBLY
7	NSS	3	PLUNGER
8	NSS	3	SPRING
9	NSS	AR	PLATE KIT
10	NSS	3	PIN
11	NSS	1	SNAP RING
12	131246010	1	BANJO FITTING
13	131296255	2	GASKET
14	131246170	1	BOLT
15	NSS	3	SEAT SPRING
16	NSS	6	O-RING
17	NSS	6	BOLT

NOTES:

1. Item 1 (includes items 2–17).

Fuel Injector



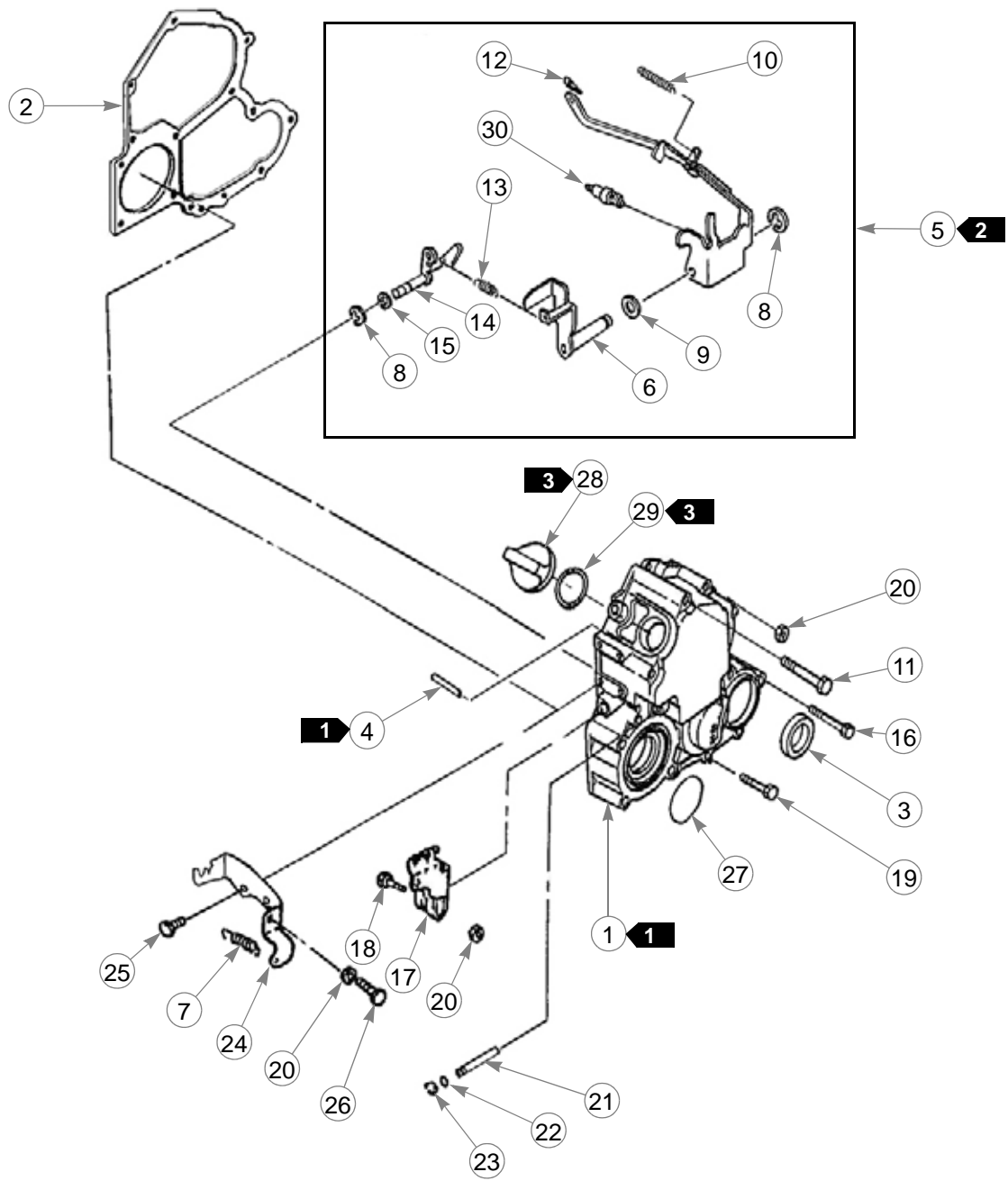
Fuel Injector

ITEM NO.	SERVICE PART NO.	QTY.	DESCRIPTION
1	131406360	3	FUEL INJECTOR
2	131446006	3	NUT
3	131426230	3	GASKET
4	131437360	AR	SHIM KIT
5	131446074	3	SPRING
6	131446075	3	SEAT/ SLOT, SPRING
7	131446076	3	SPACER
8	131416170	3	INJECTOR NOZZLE
9	131446077	3	NUT
10	NSS	3	BODY

NOTES:

1. Item 1 (includes items 2–10).

Timing Gear Case & Governor



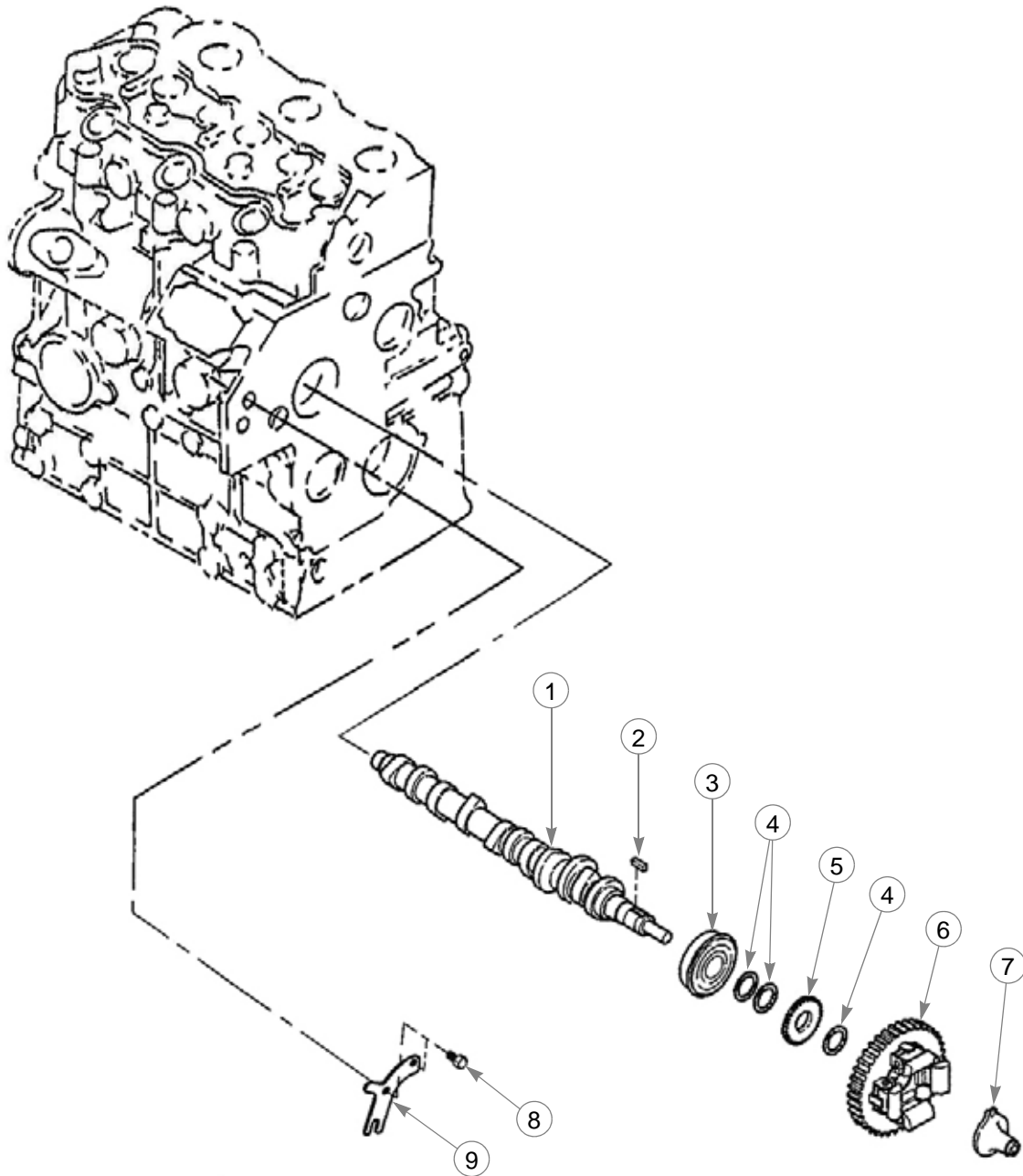
Timing Gear Case & Governor

ITEM NO.	SERVICE PART NO.	QTY.	DESCRIPTION
1	165106770	1	TIMING GEAR CASE
2	165996550	1	GASKET
3	198636160	1	OIL SEAL
4	030300414	1	SPRING PIN
5	125046340	1	GOVERNOR LEVER ASSEMBLY
6	125406080	1	TENSIONER LEVER
7	398210070	1	SPRING
8	036800008	2	SNAP RING
9	026200010	1	WASHER
10	198217500	1	START SPRING
11	011310680	2	BOLT
12	031100004	1	SNAP PIN
13	198217220	1	MAIN SPRING
14	125156250	1	ARM
15	052109110	1	O-RING
16	011310660	3	BOLT
17	125416090	1	GOVERNOR LEVER
18	011310630	1	M6 X 30, 8.8 HEX BOLT
19	011310645	7	M6 X 1 X 45, HH, CL 8.8 CAP BOLT
20	023100006	3	M6 X 1 NUT
21	125116141	1	SHAFT
22	052109108	2	O-RING
23	036800005	1	SNAP RING
24	125976100	1	BRACKET
25	011310614	2	M6 X 1 X 14, CL 8.8 BOLT
26	010109264	1	BOLT
27	052300600	1	O-RING
28	398430630	1	PLUG
29	052100280	1	O-RING
30	131046430	1	ANGLICH SET ASSEMBLY N843
	131046390	1	ANGLICH SET ASSEMBLY N843L

NOTES:

1. Items 1 (includes item 4).
2. Item 5 (includes items 6, 8 to 10,12,13 and 30).
3. Items 28 and 29 are only used on N843 engine model.

Camshaft

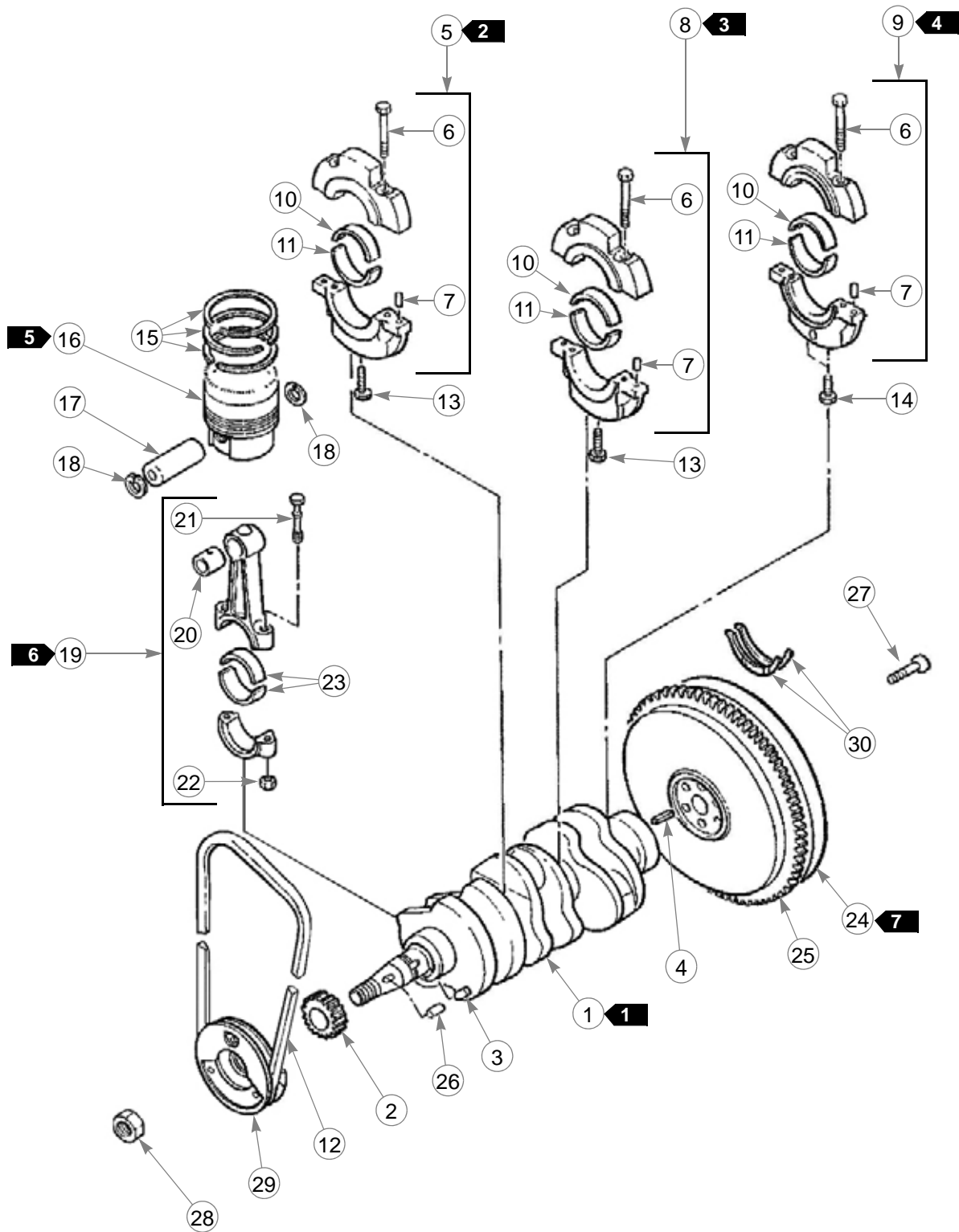


Camshaft

ITEM NO.	SERVICE PART NO.	QTY.	DESCRIPTION
1	120026350	1	CAMSHAFT
2	034100508	1	KEY
3	040156304	1	BEARING ASSEMBLY
4	199216230	3	SPACER
5	120736081	1	GEAR
6	120016050	1	CAM GEAR
7	125256120	1	SLIDE/GUIDE
8	011310612	2	SCREW
9	199566651	1	PLATE

NOTES:

Crankshaft & Pistons



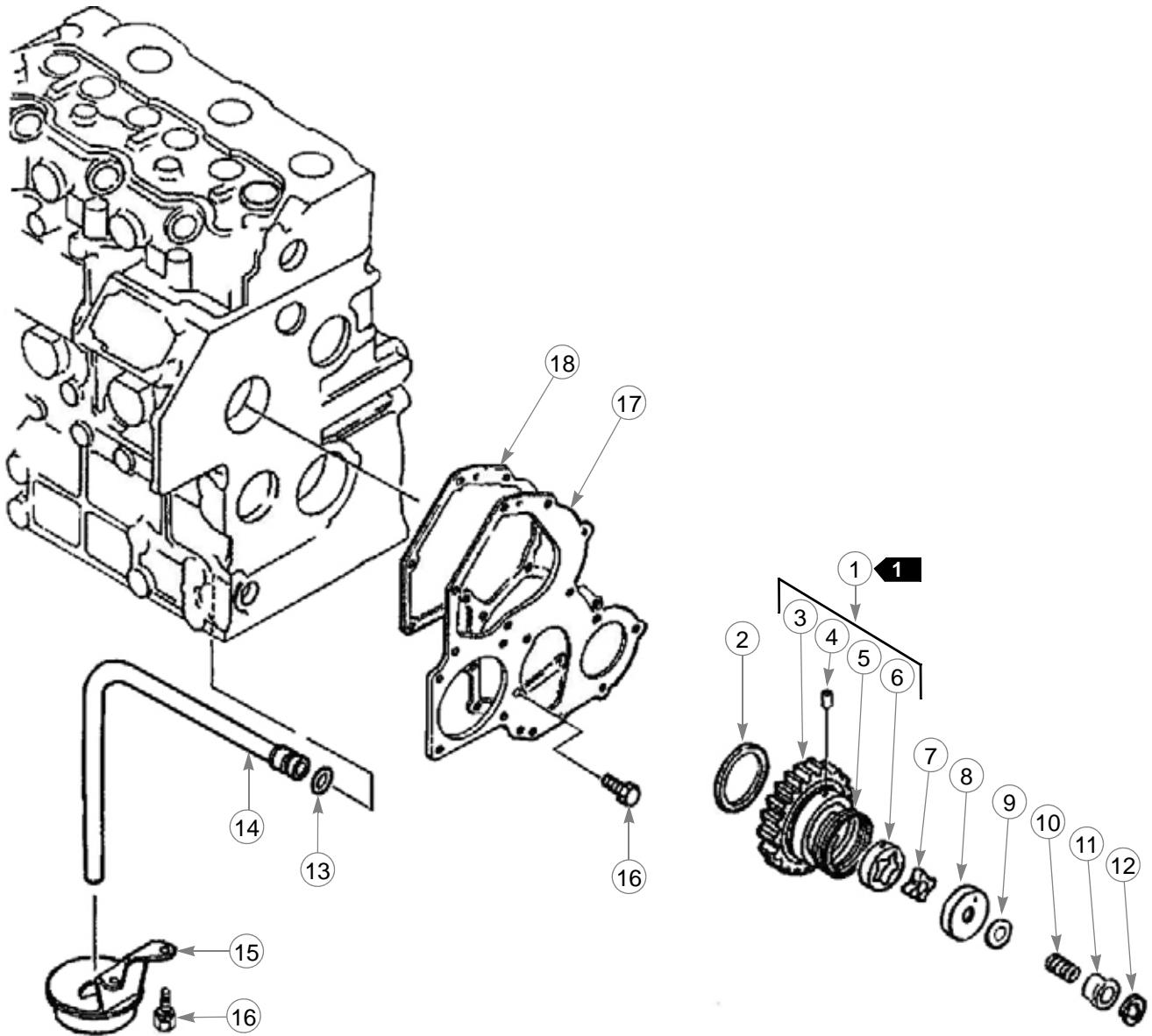
Crankshaft & Pistons

ITEM NO.	SERVICE PART NO.	QTY.	DESCRIPTION
1	115256580	1	CRANKSHAFT N843
	115256760	1	CRANKSHAFT N843L
2	115276200	1	CRANKSHAFT GEAR
3	030509020	1	DOWEL PIN
4	030300816	1	PIN
5	110156171	1	BEARING HOLDER ASSEMBLY N843
	110156370	1	BEARING HOLDER ASSEMBLY N843L
6	010109406	6	BOLT
7	030500612	6	DOWEL PIN
8	110156181	1	BEARING HOLDER ASSEMBLY N843
	110156380	1	BEARING HOLDER ASSEMBLY N843L
9	110156191	1	BEARING HOLDER ASSEMBLY N843
	110156390	1	BEARING HOLDER ASSEMBLY N843L
10	198517232	3	STANDARD BEARING
11	198517242	3	STANDARD BEARING
12	080109061	1	BELT
13	010109667	2	M8 X 50 BOLT
14	010700865	2	M8 X 65 BOLT N843
	010700860	2	M8 X 60 BOLT N843L
15	115107970	3	STANDARD PISTON RINGS KIT
16	115017541	3	STANDARD PISTON AND RINGS KIT N843
	115017491	2	STANDARD PISTON AND RINGS KIT N843L
17	115326220	3	PISTON PIN
18	036500028	6	SNAP RING
19	115026251	3	CONNECTING ROD ASSEMBLY N843
	115026330	3	CONNECTING ROD ASSEMBLY N843L
20	198517260	3	BUSHING
21	115176140	6	CONNECTING ROD BOLT
22	020109120	6	NUT
23	198517252	6	STANDARD BEARING
24	115357380	1	ENGINE FLYWHEEL
25	115356040	1	RING GEAR
26	034100508	1	KEY
27	010109341	6	BOLT
28	020109086	1	NUT
29	115397790	1	PULLEY
30	199266200	2	THRUST WASHER

NOTES:

1. Item 1 (includes items 2 to 4 and 26).
2. Item 5 (includes items 6, 7,10 and 11).
3. Item 8 (includes items 6, 7,10 and 11).
4. Item 9 (includes items 6, 7,10 and 11).
5. Item 16 (includes items 15).
6. Item 19 (includes items 20 to 23).
7. Item 24 (includes item 25).

Oil Pump



Oil Pump

ITEM NO.	SERVICE PART NO.	QTY.	DESCRIPTION
1	165026230	1	IDLE GEAR ASSEMBLY
2	199266270	1	THRUST WASHER
3	NSS	1	GEAR
4	NSS	1	PIN
5	198217760	1	SPRING
6	NSS	1	OUTER ROTOR
7	140166250	1	INNER ROTOR
8	140116220	1	OIL PUMP COVER
9	199286340	1	SHIM KIT
10	198216720	1	SPRING
11	199236540	1	COLLAR
12	036800010	1	SNAP RING
13	052109076	1	O-RING
14	140986860	1	OIL TUBE
15	140406520	1	SUCTION FILTER
16	011310612	4	BOLT
17	165166600	1	FRONT PLATE
18	165996540	1	GASKET

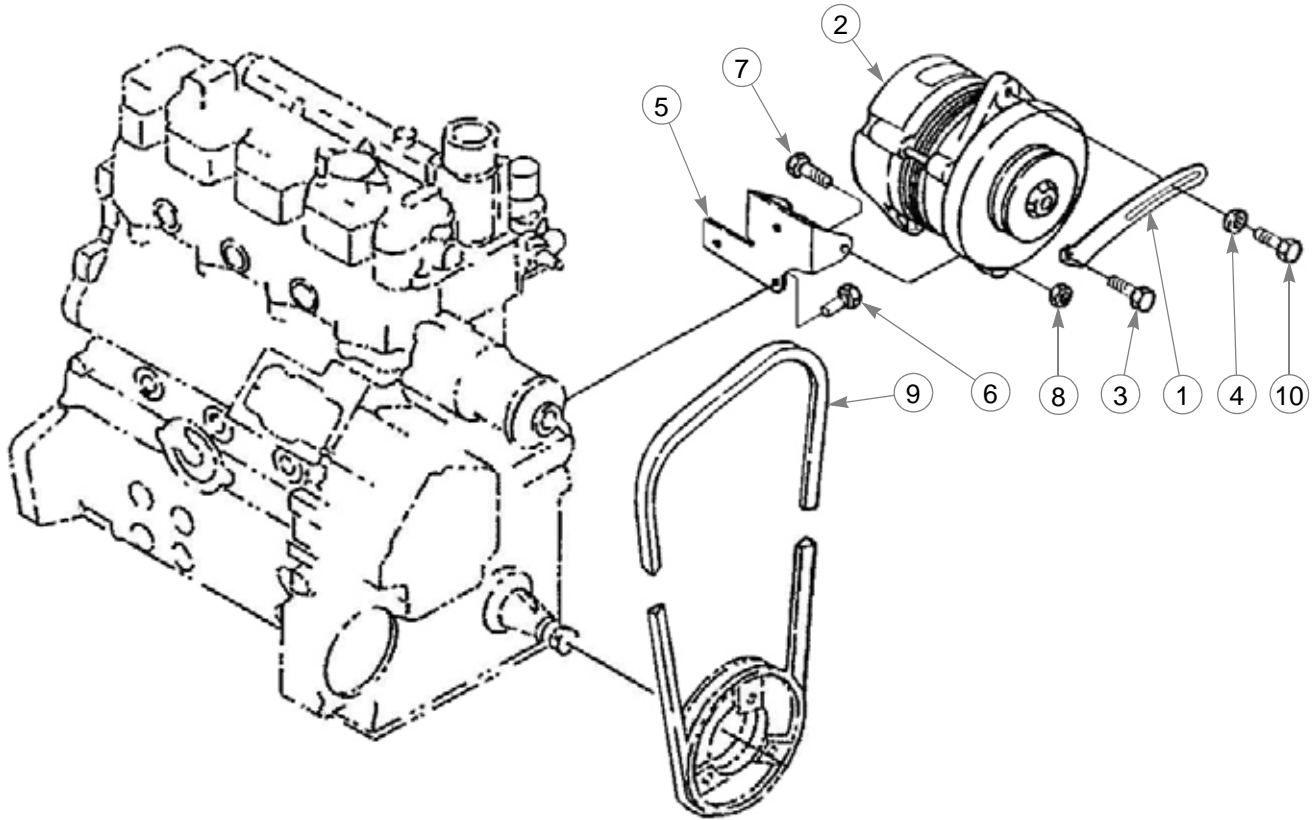
NOTES:

1. Item 1 (includes item3-6).

Chapter 4 Contents

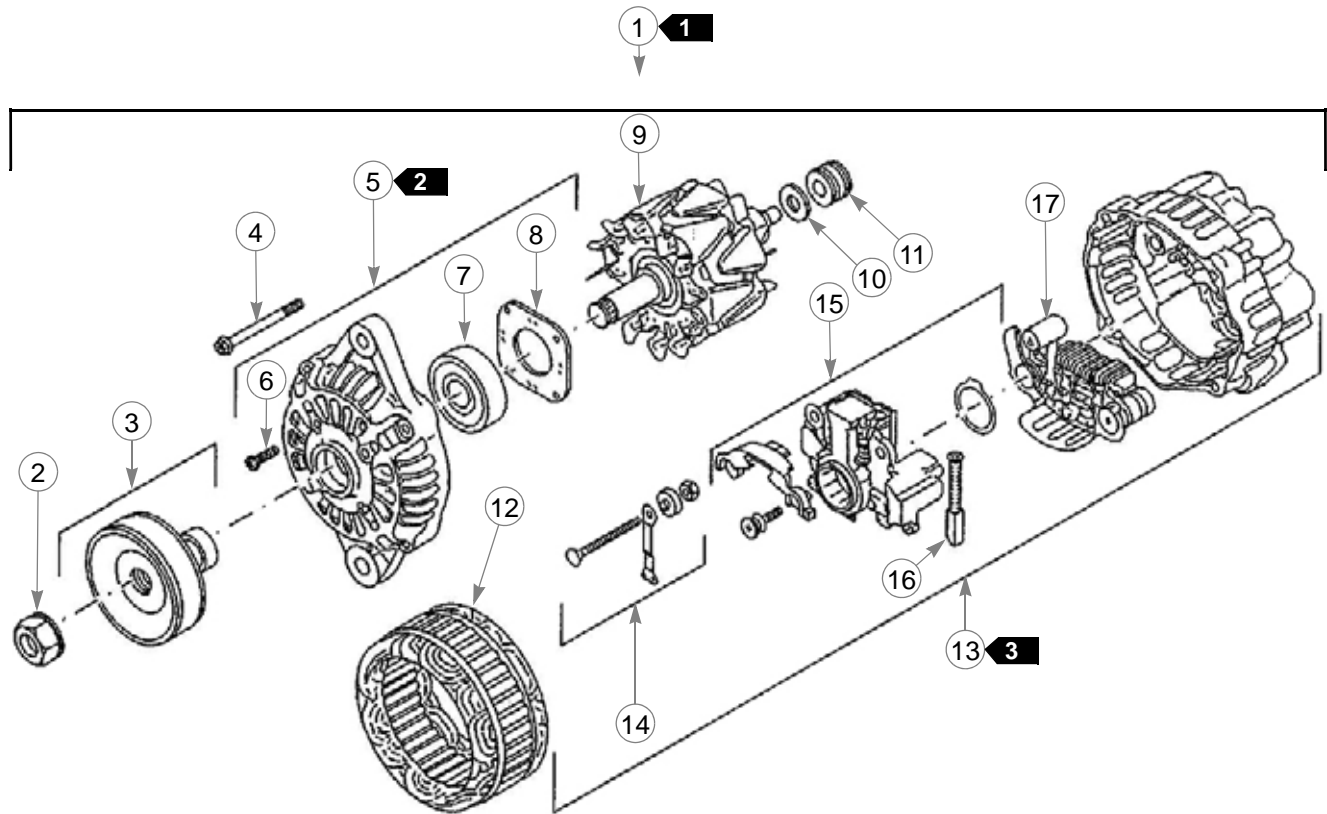
Alternator Mount	4-2
Alternator	4-3
Starter Motor N843	4-4
Starter Motor N843L	4-6
Water Pump	4-8

Alternator Mount



ITEM NO.	SERVICE PART NO.	QTY.	DESCRIPTION
1	185727000	1	ADJUSTING PLATE
2	185046320	1	ALTERNATOR
3	011510820	1	M8 X 1.25 X 20 BOLT
4	026109017	1	M8 X 16 X 1.6 WASHER
5	185976900	1	SUPPORT
6	011510816	3	M8 X 16 BOLT
7	010311035	2	M10 X 35, 8.8 FULL THREAD BOLT
8	020900010	1	M10 X 1.5 NUT
9	080109061	1	BELT
10	011510825	1	M8 X 1.25 X 25 BOLT

Alternator

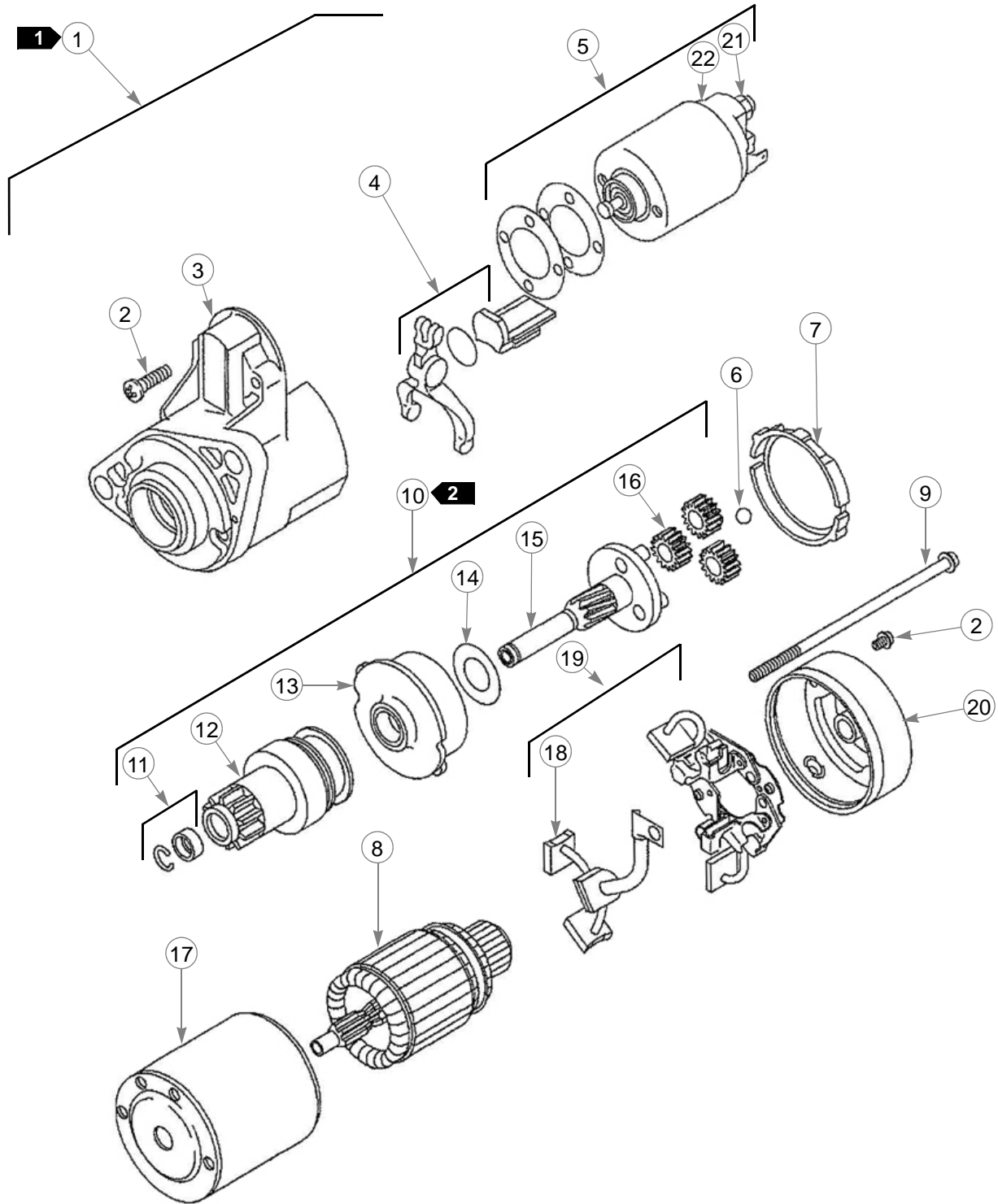


ITEM NO.	SERVICE PART NO.	QTY.	DESCRIPTION
1	185046320	1	ALTERNATOR
2	185446269	1	NUT
3	185436180	1	PULLEY
4	185446270	1	SCREW
5	NSS	1	FRONT ALTERNATOR HOUSING
6	185446271	1	SET OF SCREW
7	185446272	1	BALL BEARING
8	NSS	1	BEARING RETAINER PLATE
9	NSS	1	ROTOR ASSEMBLY
10	NSS	1	SPACER
11	185446274	1	BALL BEARING
12	NSS	1	STATOR ASSEMBLY
13	NSS	1	REAR ALTERNATOR HOUSING
14	185446278	1	TERMINAL
15	185446277	1	VOLTAGE REGULATOR
16	185416480	2	BRUSH
17	185446276	1	RECTIFIER

NOTES:

1. Item 1 (includes items 2–15).
2. Item 5 (includes items 6 and 7).
3. Item 11 (includes items 12–15).

Starter Motor N843



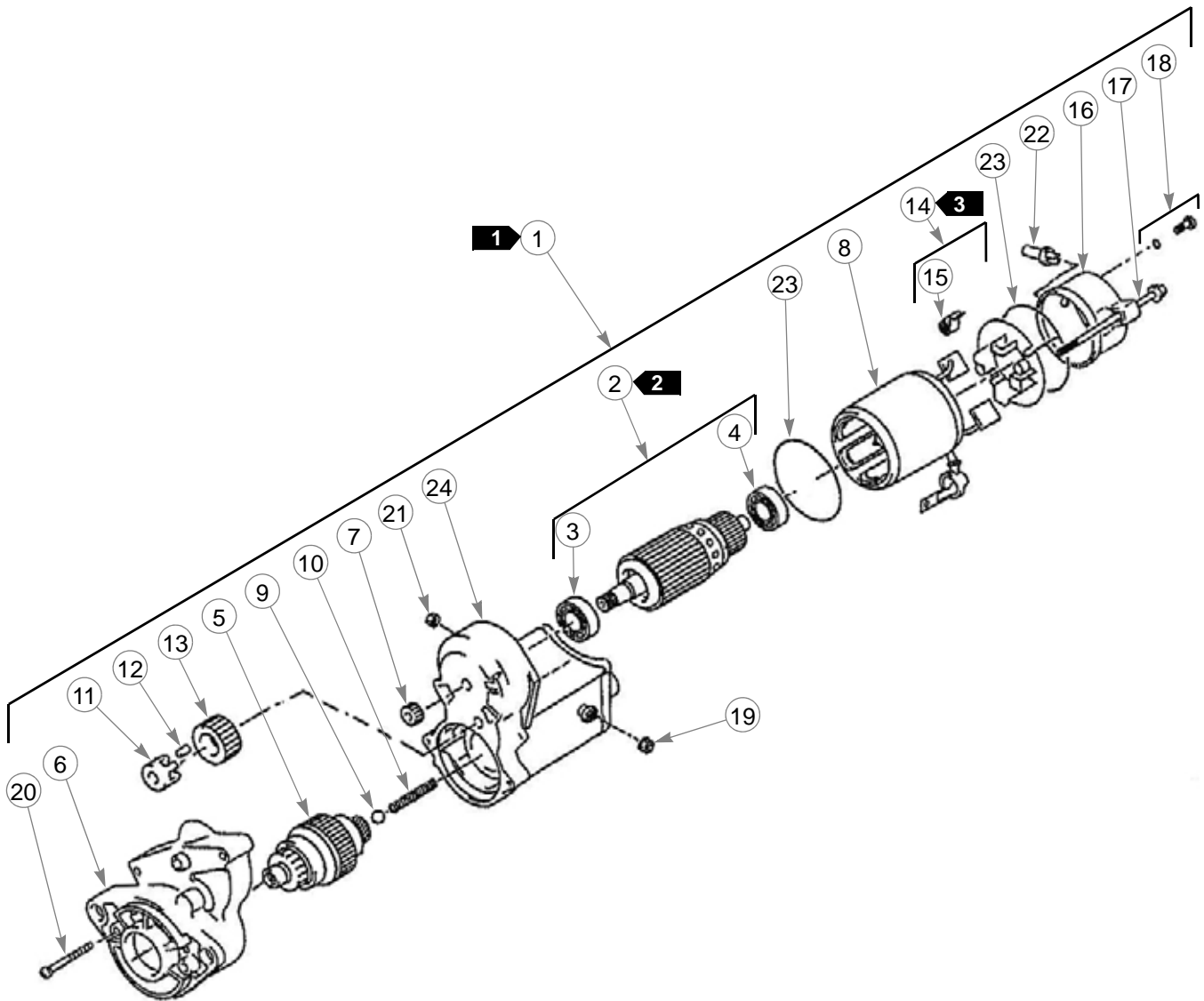
Starter Motor N843

ITEM NO.	SERVICE PART NO.	QTY.	DESCRIPTION
1	185086551	1	STARTER MOTOR ASSEMBLY
2	185846468	1	SCREW SET
3	NSS	1	STARTER HOUSING
4	185846615	1	LEVER SET
5	185816340	1	SOLENOID ASSEMBLY
6	185846616	1	BALL BEARING
7	185846617	1	RUBBER COVER
8	185846618	1	ARMATURE
9	185846621	1	HEXAGON HEAD SET
10	185866391	1	SHAFT ASSEMBLY, CLUTCH SET
11	185846614	1	STOPPER SET
12	NSS	1	PINION
13	NSS	1	GEAR HOUSING
14	NSS	1	SPACER
15	NSS	1	SHAFT
16	NSS	3	GEAR
17	NSS	1	FIELD COIL HOUSING
18	185416490	1	BRUSH ASSEMBLY
19	185416500	1	BRUSH RETAINER ASSEMBLY
20	NSS	1	RETAINER
21	185846620	1	END CAP ASSEMBLY
22	020109160	1	NUT
23	185736330	1	SOLENOID HOUSING

NOTES:

1. Item 1 (includes items 2–23).
2. Item 10 (includes items 11–16).
3. Item 19 (includes item 18).

Starter Motor N843L



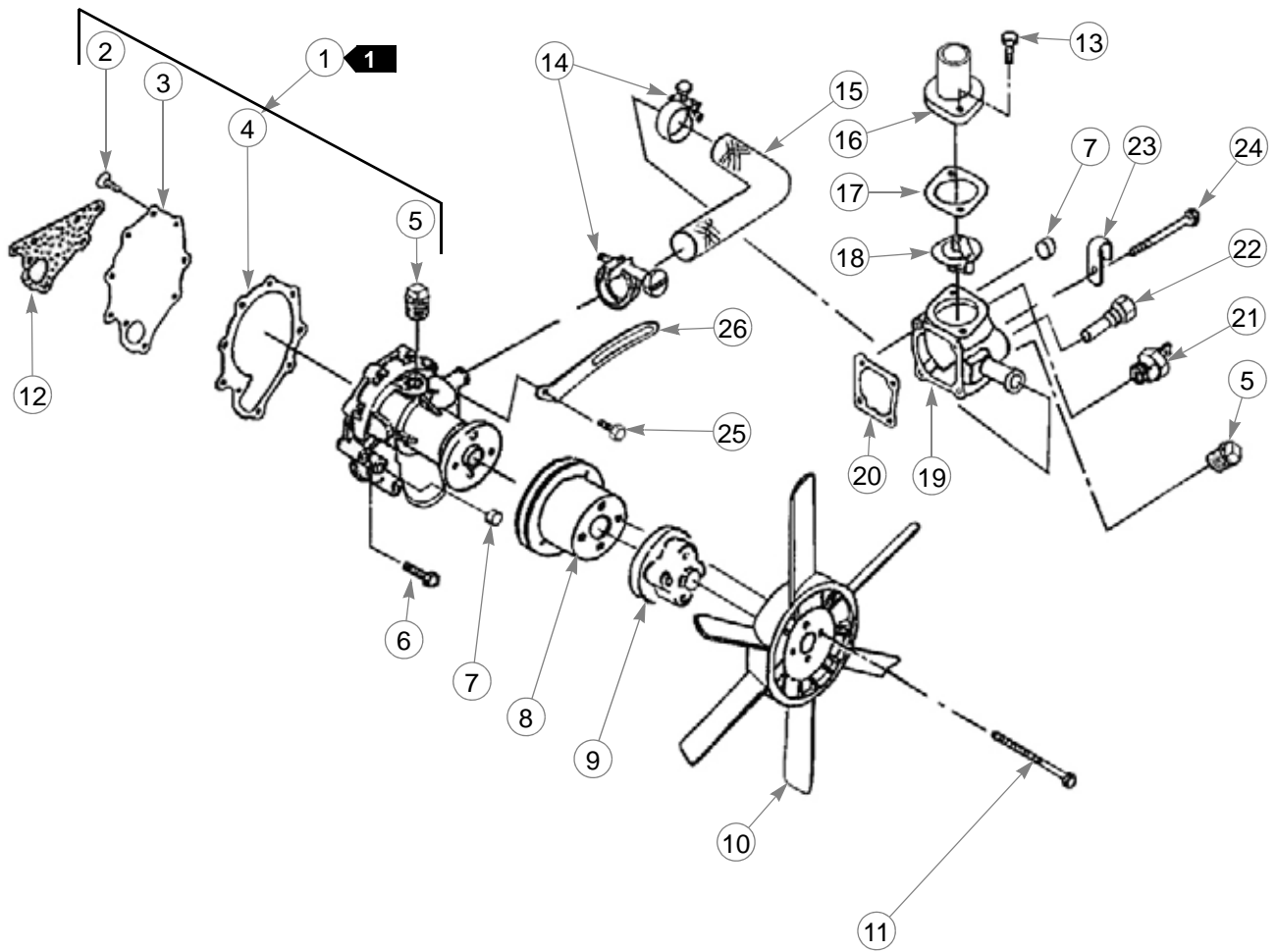
Starter Motor N843L

ITEM NO.	SERVICE PART NO.	QTY.	DESCRIPTION
1	185086530	1	STARTER MOTOR ASSEMBLY
2	185846571	1	ARMATURE ASSEMBLY
3	185846549	1	BEARING
4	185846583	1	BEARING
5	185866370	1	CLUTCH ASSEMBLY
6	185846572	1	HOUSING ASSEMBLY
7	185846576	1	PINION
8	185846570	1	STATOR KIT
9	185846286	1	BALL BEARING
10	185846560	1	SPRING BRUSH
11	185846551	1	RETAINER
12	185846371	5	ROLLER
13	185846552	1	PINION
14	185846573	1	BRUSH HOLDER ASSEMBLY
15	185846579	4	SPRING BRUSH
16	185846574	1	FRAME
17	185846581	2	BOLT
18	185846582	2	SCREW
19	185416378	1	NUT
20	185416580	2	SCREW
21	185846563	1	NUT
22	185416562	1	BUSHING DRAIN
23	185416561	2	O-RING
24	185716360	1	MAGNETIC SOLENOID ASSEMBLY

NOTES:

1. Item 1 (includes items 2–24).
2. Item 2 (includes items 3 and 4).
3. Item 14 (includes item 15).

Water Pump



Water Pump

ITEM NO.	SERVICE PART NO.	QTY.	DESCRIPTION
1	145017790	1	WATER PUMP ASSEMBLY
2	015300614	3	SCREW
3	145146320	1	SET PLATE
4	145996681	1	GASKET
5	064500030	2	PLUG
6	011310635	4	M6 X 35 BOLT
7	023100006	3	M6 X 1 NUT
8	145337030	1	PULLEY
9	145387000	1	FAN HOLDER
	145386910	1	FAN HOLDER
10	145306510	1	FAN
11	011310675	4	M6 X 1 X 75 BOLT
12	145996670	1	GASKET
13	010800820	2	M8 X 1.25 X 20 BOLT
14	067100022	2	HOSE CLAMP
15	145536051	1	HOSE
16	145226450	1	COVER
17	145996051	1	GASKET
18	145206220	1	THERMOSTAT
19	145216730	1	THERMOSTAT HOUSING
20	145996710	1	GASKET
21	385720360	1	THERMOGUARD SWITCH
22	385720011	1	THERMOSTAT SENSOR
23	199116370	1	CLAMP
24	011310645	2	M6 X 1 X 45 BOLT
25	011510820	1	M8 X 1.25 X 20 BOLT
26	185757000	1	ADJUSTING PLATE

NOTES:

1. Item 1 (includes items 2–5).

Numerical Index

Part No.	Page No.	Part No.	Page No.	Part No.	Page No.
Index					
010109235	2-9	030500612	2-9, 3-13	110996820	2-9
010109264	3-9	030500616	2-9	111011171	2-7
010109341	3-13	030501025	2-9	111136480	2-7
010109406	3-13	030509020	3-13	111136490	2-7
010109667	3-13	031100004	3-9	111147491	2-7
010110625	3-3	034100508	3-11, 3-13	111147501	2-7
010311035	4-2	036500028	3-13	111217670	2-3
010411212	2-9	036800005	3-9	111996410	2-3
010700860	3-13	036800008	3-9	115017491	3-13
010700865	3-13	036800010	3-15	115017541	3-13
010800820	3-3, 4-9	040156304	3-11	115026251	3-13
011100408	2-3	040306203	2-9	115026330	3-13
011310612	2-9, 3-3, 3-11, 3-15	042309013	2-9	115107970	3-13
011310614	3-9	050209083	2-9	115176140	3-13
011310620	2-3	052100280	3-9	115256580	3-13
011310630	3-9	052100420	2-3	115256760	3-13
011310635	2-5, 4-9	052109076	2-5, 3-15	115276200	3-13
011310640	2-3	052109078	2-9	115326220	3-13
011310645	3-9, 4-9	052109108	3-9	115356040	3-13
011310660	2-3, 3-9	052109110	3-9	115357380	3-13
011310675	4-9	052109113	2-9	115397790	3-13
011310680	3-9	052300600	3-9	120016050	3-11
011510816	2-7, 4-2	064100045	2-9	120026350	3-11
011510820	2-9, 4-2, 4-9	064200015	2-9	120036930	2-5
011510825	4-2	064210010	2-7	120116160	2-9
011511020	2-9	064210018	2-7	120166350	2-7
012109044	2-5	064210025	2-7, 2-9	120176360	2-7
012110635	2-9	064210030	2-7	120186080	2-7
012110655	2-7	064210040	2-9	120216041	2-7
012110660	2-9	064500030	4-9	120226070	2-7
012110820	2-9	067100022	4-9	120316281	2-5
015300614	4-9	067200078	3-3	120356131	2-5
015600406	2-3	068204090	3-3	120356141	2-5
020100004	3-3	080109061	1-1, 3-13, 4-2	120406050	2-7
020109076	2-5	109821	1-1	120406070	2-7
020109086	3-13	109823	1-1	120456250	2-9
020109120	3-13	110101360	2-9	120456310	2-9
020109160	4-5	110101490	2-9	120736081	3-11
020900010	4-2	110136400	2-7	120996140	2-5
023100004	3-3	110156171	3-13	125046340	3-9
023100006	3-3, 3-9, 4-9	110156181	3-13	125116141	3-9
023100008	3-3	110156191	3-13	125156250	3-9
023100010	2-5	110156370	3-13	125256120	3-11
024600010	2-3	110156380	3-13	125406080	3-9
025100012	2-9	110156390	3-13	125416090	3-9
025100016	3-3	110367770	2-9	125976100	3-9
026109017	4-2	110367840	2-9	131017811	3-3, 3-5
026200010	3-9	110566080	2-3	131046390	3-9
027100004	3-3	110666060	2-3	131046430	3-9
030300414	3-9	110666220	2-3	131246010	3-5
030300816	3-13	110708310	2-9	131246170	3-5
030309005	2-9	110756490	2-9	131296255	3-5

Part No.	Page No.	Part No.	Page No.	Part No.	Page No.
131406360	3-3, 3-7	165996550	3-9	185846615	4-5
131416170	3-7	185046320	4-2, 4-3	185846616	4-5
131426200	3-3	185086530	2-9, 4-7	185846617	4-5
131426230	3-3, 3-7	185086551	2-9, 4-5	185846618	4-5
131426300	3-3	185246060	2-5	185846620	4-5
131437360	3-7	185366220	3-3	185846621	4-5
131446006	3-7	185376140	3-3	185866370	4-7
131446074	3-7	185416378	4-7	185866391	4-5
131446075	3-7	185416480	4-3	185976900	4-2
131446076	3-7	185416490	4-5	195816540	2-7
131446077	3-7	185416500	4-5	198216700	2-7
131507740	3-3	185416561	4-7	198216720	3-15
131507750	3-3	185416562	4-7	198217170	2-5
131507760	3-3	185416580	4-7	198217220	3-9
131606920	3-3	185436180	4-3	198217500	3-9
135566510	2-3	185446269	4-3	198217760	3-15
135996950	2-3	185446270	4-3	198416270	2-9
140036220	2-9	185446271	4-3	198436010	2-3
140116220	3-15	185446272	4-3	198466010	2-9
140166250	3-15	185446274	4-3	198466020	2-9
140406520	3-15	185446276	4-3	198466030	2-9
140517020	1-1, 2-9	185446277	4-3	198486780	2-5
140546020	2-9	185446278	4-3	198487920	3-3
140606941	2-5	185606170	3-3	198517222	2-9
140607281	2-5	185716360	4-7	198517232	3-13
140986860	3-15	185727000	4-2	198517242	3-13
140996260	2-5	185736330	4-5	198517252	3-13
140996270	2-3	185757000	4-9	198517260	3-13
140996350	3-3	185816340	4-5	198636160	3-9
145017790	4-9	185846286	4-7	198636170	2-9
145146320	4-9	185846371	4-7	198736150	2-9
145206220	4-9	185846468	4-5	199106021	3-3
145216730	4-9	185846549	4-7	199116370	4-9
145226450	4-9	185846551	4-7	199216230	3-11
145306510	4-9	185846552	4-7	199236540	3-15
145337030	4-9	185846560	4-7	199266200	3-13
145386910	4-9	185846563	4-7	199266270	3-15
145387000	4-9	185846570	4-7	199280300	2-5
145536051	4-9	185846571	4-7	199286340	3-15
145996051	4-9	185846572	4-7	199486220	2-5
145996670	4-9	185846573	4-7	199566651	3-11
145996681	4-9	185846574	4-7	360720130	1-1
145996710	4-9	185846576	4-7	385720011	4-9
165026230	3-15	185846579	4-7	385720360	4-9
165106770	3-9	185846581	4-7	398210070	3-9
165166600	3-15	185846582	4-7	398430630	3-9
165296220	2-9	185846583	4-7		
165996540	3-15	185846614	4-5		